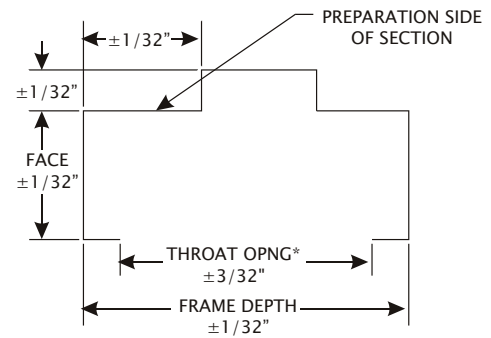
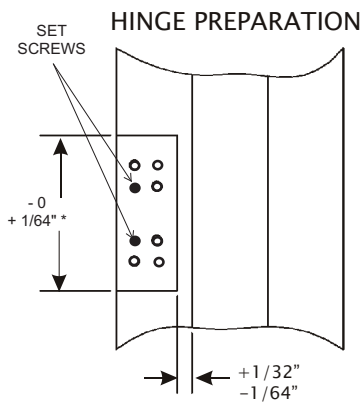
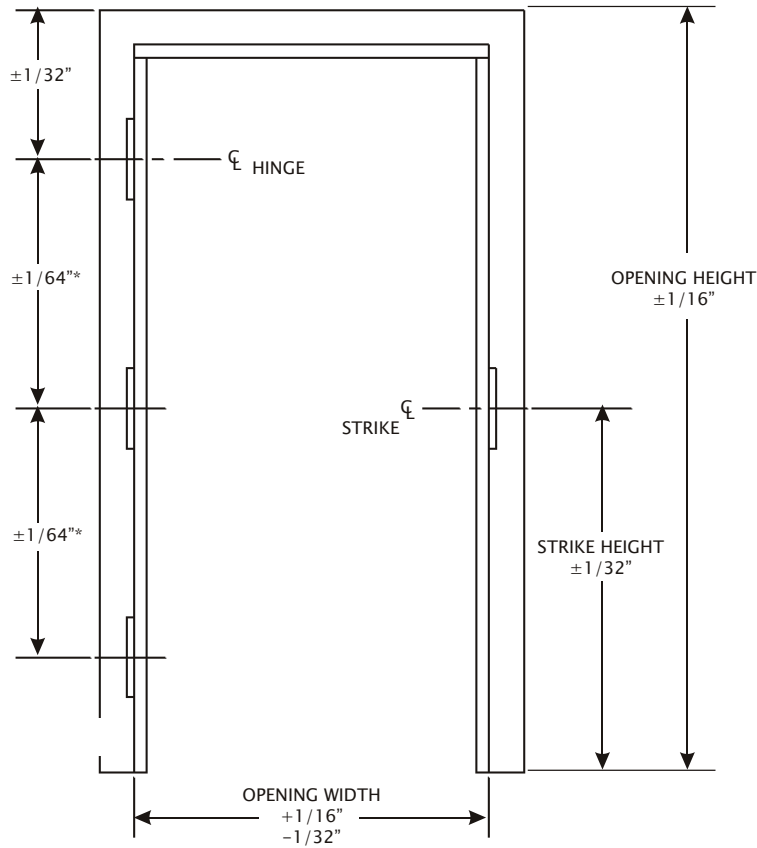


TECHNICAL DATA SHEET

F - 100 - 03 FRAME TOLERANCES



DRYWALL & MASONRY

* TOLERANCES BETWEEN HINGE CENTERLINES ARE NON-ACCUMULATIVE
 **BASED ON NOMINAL HINGE HEIGHT $+1/32"$
 ANSI A250-8

Issue Date: January 2006

REVISED : 02/01/2009

